

NPPL12

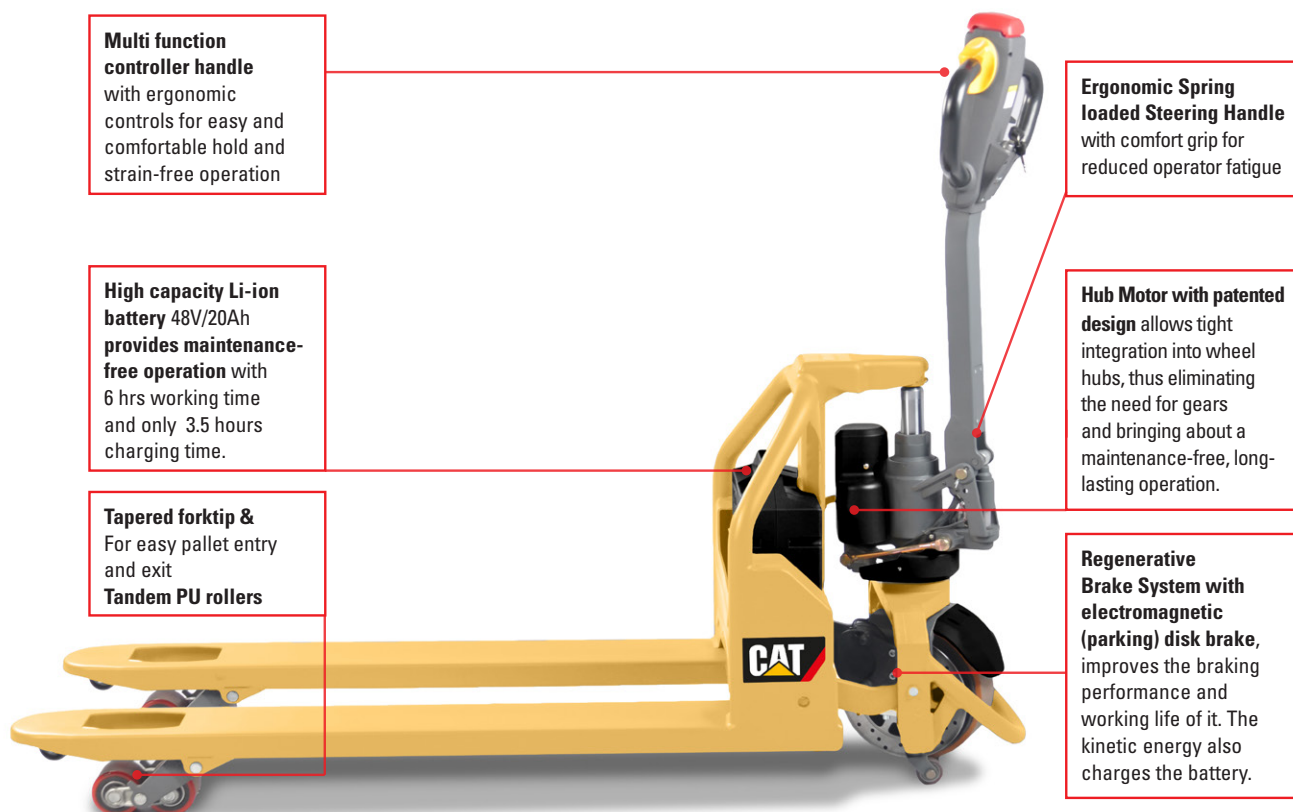
Preliminary
Specifications

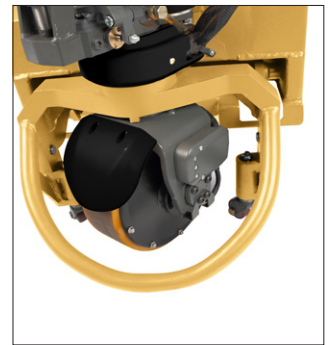
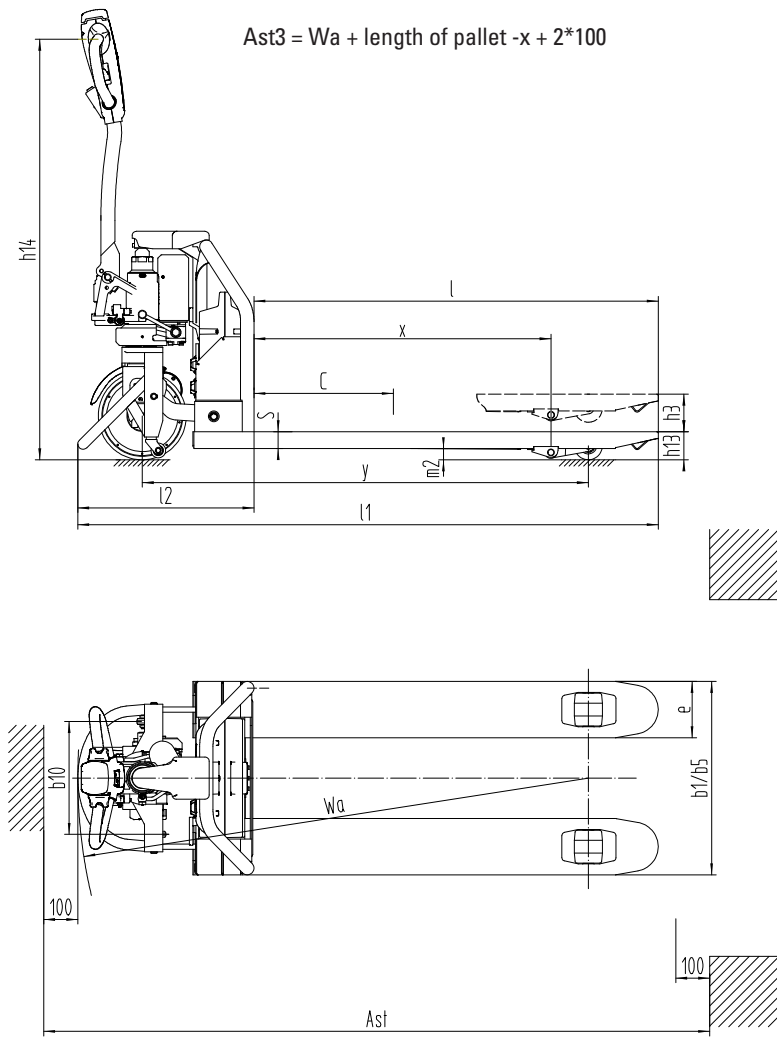


**Electric
hand pallet truck**
1.2 tonnes



Characteristics			Cat Lift Trucks	Cat Lift Trucks	Cat Lift Trucks	Cat Lift Trucks	Cat Lift Trucks
1.1	Manufacturer (abbreviation)		NPPL12	NPPL12	NPPL12	NPPL12	NPPL12
1.2	Manufacturer's model designation		550 X 1150	680 X 1150	680 X 1000	550 X 1220	680 X 1220
1.4	Operator type: pedestrian, (operator)-standing, -seated		Pedestrian	Pedestrian	Pedestrian	Pedestrian	Pedestrian
1.5	Load capacity	Q (kg)	1200	1200	1200	1200	1200
1.6	Load center distance	c (mm)	600	600	600	600	600
1.8	Load wheels axle to fork face (forks lowered)	x (mm)	952	952	802	1022	1022
1.9	Wheelbase	y (mm)	1269	1269	1119	1339	1339
Weight							
2.1	Truck weight without nominal load	kg	140	150	140	144	154
2.2	Axel load with nominal load & maximum battery weight,drive load/side	kg	450 / 890	460 / 890	450 / 890	454 / 890	464 / 890
2.3	Axel load without nominal load & with maximum battery weight,drive load/side	kg	110 / 30	120 / 30	115 / 25	110 / 34	120 / 34
Wheels, Drive Train							
3.1	Wheel type: P=Polyurethane, N=Nylon, R=Rubber		P	P	P	P	P
3.2	Wheel dimension, drive side	Ø (mm)	250	250	250	250	250
3.3	Wheel dimension, load side	Ø (mm)	80	80	80	80	80
3.5	Number of wheels, drive/load side (x=driven)		1x/4	1x/4	1x/4	1x/4	1x/4
Dimensions							
4.4	Lift height	h3 (mm)	110	110	110	110	110
4.9	Height of tiller arm / steering console (min./max.)	h14 (mm)	635 / 1200	635 / 1200	635 / 1200	635 / 1200	635 / 1200
4.15	Fork height fully lowered	h13 (mm)	80	80	80	80	80
4.19	Overall length	l1 (mm)	1651	1651	1501	1721	1721
4.20	Length to fork face	l2 (mm)	501	501	501	501	501
4.21	Overall width	b1/b2 (mm)	550	680	680	550	680
4.22	Fork dimensions (thickness, width and length)	s / e / l (mm)	45 / 160 / 1150	45 / 160 / 1150	45 / 160 / 1000	45 / 160 / 1220	45 / 160 / 1220
4.25	Outside width over forks (minimum / maximum)	b5 (mm)	550	680	680	550	680
4.32	Ground clearance at centre of wheelbase (forks lowered)	m2 (mm)	35	35	35	35	35
4.33/b	Working aisle width (Ast3) with 1000 x1200 pallets, load crosswise	Ast3 (mm)	1850	1850	1700	1920	1920
4.34/b	Working aisle width (Ast3) with 800 x1200 pallets, load lengthwise	Ast3 (mm)	1900	1900	1900	1920	1920
4.35	Turning circle radius	Wa (mm)	1452	1452	1302	1522	1522
Performance							
5.1	Travel speed, with/without load	km / h	4/4.5	4/4.5	4/4.5	4/4.5	4/4.5
5.8	Maximum gradeability, with/without load	%	3 / 8	3 / 8	3 / 8	3 / 8	3 / 8
Electric motors							
6.4	Rated power of lifting motor (Drive motor capacity (60 min. short duty)	V/Ah	0.8	0.8	0.8	0.8	0.8
6.5	Rated power of travel motor (Lift motor output at 15% duty factor)	kg	0.6	0.6	0.6	0.6	0.6
	Battery voltage/Capacity	kw	48 / 20	48 / 20	48 / 20	48 / 20	48 / 20
	Battery weight	kw	8	8	8	8	8
Miscellaneous							
10.7	Sound level at the driver's ear acc. to DIN12053	dB(A)	70	70	70	70	70





Lower Cost of Ownership

- Removable easy exchangeable maintenance-free high capacity 48V Lithium-Ion battery provides 6 hours effective use
- External charger, possible to charge the battery onboard with only 3,5 hours charging time.
- Maintenance free brushless (AC) and gearless wheel hub motor with no wearable components provides long-lasting, low noise operation.
- Easy Maintenance with no expensive handheld required, only a laptop, software & cable: Unscrew the cover and connect the cable to your device
- Convenient to replace the steering wheel

Unmatched Productivity

- High quality stable construction gives a stable and durable platform.
- Suitability for short and mid-distance runs makes the truck highly flexible and further enhances productivity.
- Compact design, low service weight and small turning radius allows it to be used in confined spaces such as retail, trailers, containers and small warehouses.

Safety and Ergonomics

- Multi-function control handle incorporates butterfly-style thumb controls, emergency reverse button, horn button and key switch.
- Ergonomic spring-loaded steering handle with comfort grip for reduced operator fatigue.
- Integrated battery status indicator
- Fork tip rollers for easy pallet entry and exit
- A single piece casted rocker arm for strength and stability
- Parking brake automatically stops on gradients and ramps.

Best alternative for traditional hand pallet truck

Ideal in many applications

Cat® Lift Trucks.

Your partner in materials handling.



For over 80 years Caterpillar has built some of the world's best construction and mining equipment, designed to perform in the toughest environments.

This same philosophy and heritage is evident in our materials handling equipment, which includes a complete range of electric, diesel and LPG powered lift trucks and warehouse equipment.

Every day our dealer network delivers tailored materials handling solutions in more than 70 Countries across Europe, Africa and the Middle East.

We continually invest in the selection, development and support of our dealer network to provide you with the right equipment, service and advice. For instance, we offer the highest parts availability in the industry of over 97%, measured full line first pick, with next day delivery in most Countries.

Come and talk to us about your materials handling requirements.

Contact your dealer now or visit our website:
www.catliftruck.com

info@catliftruck.com
www.catliftruck.com

WEGC1884 (03/18)
©2018, MCFE. All rights reserved.
CAT, CATERPILLAR, BUILT FOR IT, their respective logos, "Caterpillar Yellow", the "Power Edge" trade dress as well as corporate and product identity used herein, are trademarks of Caterpillar and may not be used without permission.

Printed in The Netherlands

NOTE: Performance specifications may vary depending on standard manufacturing tolerances, vehicle condition, types of tyres, floor or surface conditions, applications, or operating environment. Trucks may be shown with non-standard options. Specific performance requirements and locally available configurations should be discussed with your Cat lift trucks Dealer. Cat Lift Trucks follows a policy of continual product improvement. For this reason, some materials, options and specifications could change without notice.

